

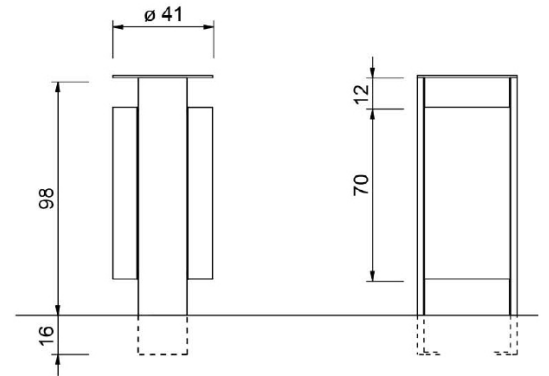


Versio Orbis Litter Bin

Coming complete with a DIN triangular locking device, and available with or without an ashtray, the Versio Orbis Litter Bin is a popular and durable choice for many clients when choosing a litter bin for any environment - from busy city streets to schools to peaceful public parks.

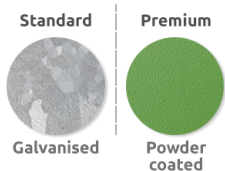
The Versio Orbis Litter Bin is a circular double-sided steel litter bin manufactured from 5mm laser cut steel with a 40L capacity and a removable inner bin made of stainless steel.

H: 980mm x D: 410mm

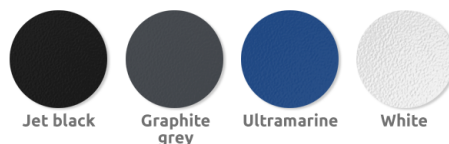


Materials, Finishes & Options

Steel
 Available in the options below;
 for further details on our **steel** visit our **materiality page >>**



Colours
 Available in a huge range of **RAL** colours.
 Our most popular colours are;



Fixtures
 This product can be customised with a range of optional fixtures. If you have any further bespoke requirements **get in touch**, our sales team will be happy to help.

